

## Digital Physician Scales



Eye Level  
Model 140-10-5



Waist Level  
Model 140-10-6



Floor Level  
Model 140-10-7

### STANDARD FEATURES

- Capacity: 550lb x 0.2lb (250kg x 0.1kg)
- Platform Dimensions: 14 in x 14.5 in x 3 in (355.6mm x 368.3mm x 76.2mm)
- Large 1 in LCD display
- AC adaptor and internal rechargeable battery
- Low battery indication/automatic power-off
- BMI (body mass index) function
- Reweigh function
- Hold function
- Unit of measure: lb only, kg only, lb/kg
- RS-232 output
- Updatable firmware

#### Eye-Level Physician Scale

- Height measuring rod measures from 35 in to 82 in x 1/8 in (90 cm to 209 cm x 1 mm)
- Integrated wheels for ease of portability

#### Waist-Level Physician Scale

- Integrated wheels for ease of portability

#### Floor-Level Physician Scale

- 6.5ft cable between scale base and indicator

### APPROVALS



### SPECIFICATIONS

#### POWER:

9VDC, provided by AC adaptor or internal rechargeable battery

#### BATTERY TYPE:

Sealed lead acid

#### BATTERY USE:

75 hours

Automatic power-off can be configured from 0-20 minutes

#### OPERATING TEMPERATURE:

50°F to 104°F (14°C to 40°C)

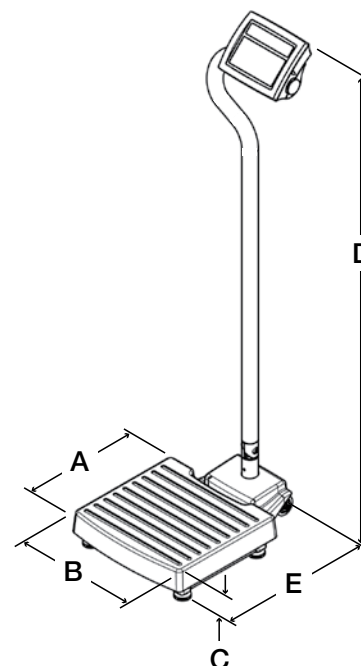
#### APPROVALS:

CE

#### WARRANTY:

Two-year limited warranty

DIMENSIONS			
<b>Eye Level</b>			
<b>A</b>	14 in	<b>D</b>	54.45 in
<b>B</b>	14.5 in	<b>E</b>	20.5 in
<b>C</b>	3 in		
<b>Waist Level</b>			
<b>A</b>	14 in	<b>D</b>	50.5 in
<b>B</b>	14.5 in	<b>E</b>	20.5 in
<b>C</b>	3 in		
<b>Floor Level</b>			
<b>A</b>	14 in	<b>D</b>	N/A
<b>B</b>	14.5 in	<b>E</b>	N/A
<b>C</b>	3 in		



Transport/Carrying Case  
for Floor Level Scale